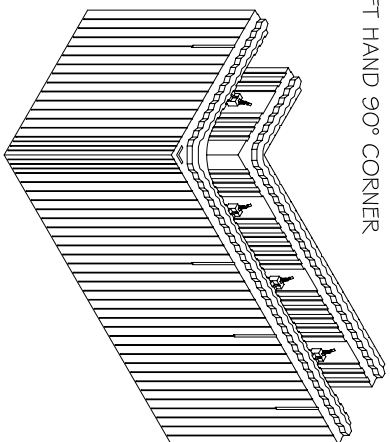
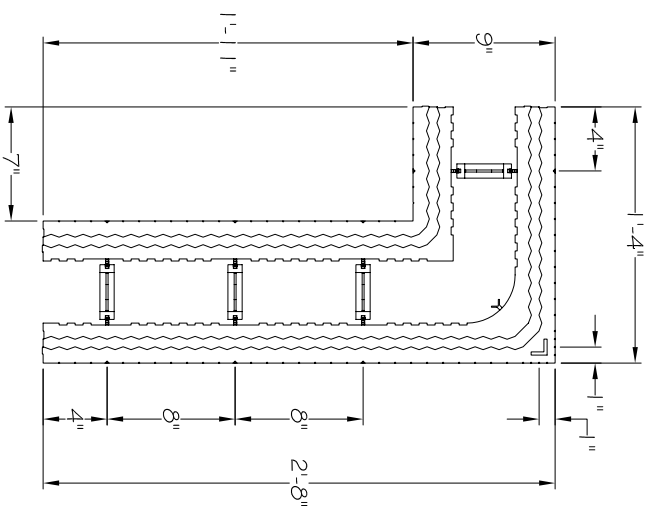
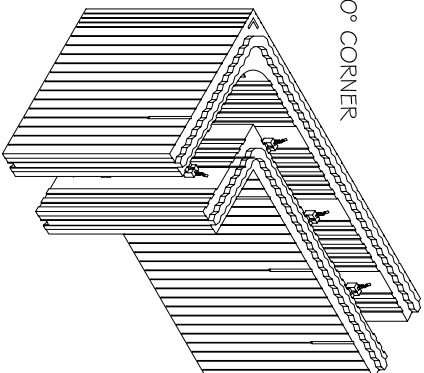


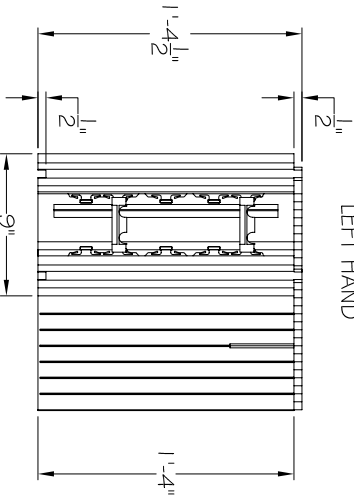
LEFT HAND 90° CORNER



RIGHT HAND 90° CORNER

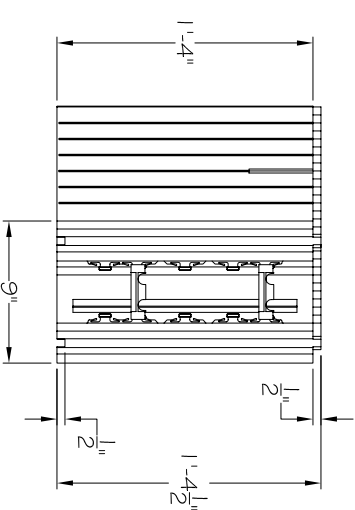


RIGHT HAND



LEFT HAND

OUTER WALL AREA = 5.33 SQ. FT. PER BLOCK  
 CONCRETE VOLUME = 0.053 CU. YD. PER BLOCK



RIGHT HAND

NOTE:  
 IT IS THE RESPONSIBILITY OF THE  
 DESIGNER / END USER TO VERIFY THAT  
 STRUCTURES BUILT WITH ECO-BLOCK  
 HAVE BEEN DESIGNED, ENGINEERED, AND  
 CONSTRUCTED IN ACCORDANCE WITH ALL  
 APPLICABLE BUILDING CODES AND REGULATIONS

# ECO-Block, LLC

INSULATING CONCRETE FORMS  
 THE BEST FORM FOR ANY FUNCTION



11220 GRADER STREET  
 SUITE 700  
 DALLAS, TX 75238  
 214-503-1644 800-503-0901  
 WWW.ECO-BLOCK.COM

## STANDARD SYSTEM

90° CORNERS  
 4" FORMS

DATE: 5/21/2002

SCALE: 1" = 1'-0"

REVISION:

DRAWING NUMBER:

M-10-0005