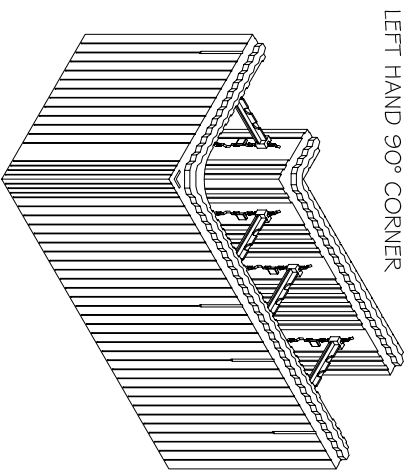
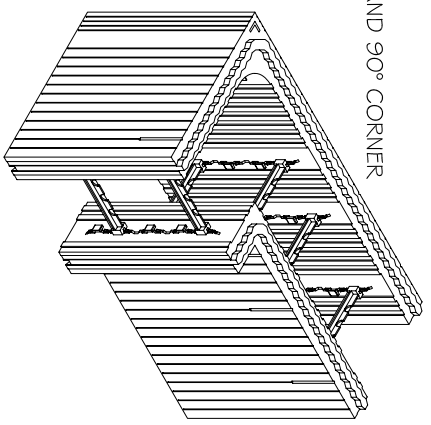


NOTE:  
 IT IS THE RESPONSIBILITY OF THE DESIGNER / END USER TO VERIFY THAT STRUCTURES BUILT WITH ECO-BLOCK HAVE BEEN DESIGNED, ENGINEERED, AND CONSTRUCTED IN ACCORDANCE WITH ALL APPLICABLE BUILDING CODES AND REGULATIONS

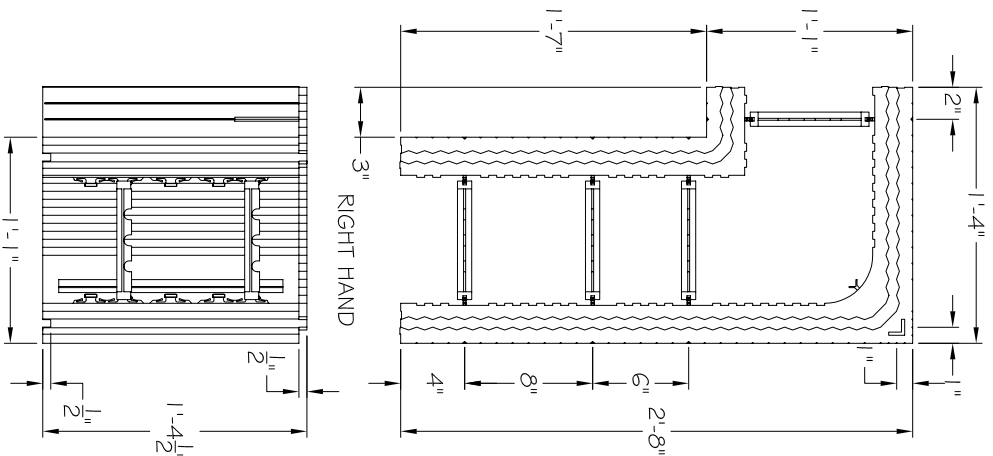


LEFT HAND 90° CORNER



RIGHT HAND 90° CORNER

OUTER WALL AREA = 5.33 SQ. FT. PER BLOCK  
 CONCRETE VOLUME = 0.095 CU. YD. PER BLOCK



# ECO-Block, LLC

INSULATING CONCRETE FORMS  
 THE BEST FORM FOR ANY FUNCTION



11220 GRADER STREET  
 SUITE 700  
 DALLAS, TX 75238  
 214-503-1644 800-503-0901  
 WWW.ECO-BLOCK.COM

## STANDARD SYSTEM

90° CORNERS  
 8" FORMS

DATE:	5/21/2002
SCALE:	1" = 1'-0"
REVISION:	
DRAWING NUMBER:	M-10-0007